

Features:

- Forced Air Cooling
- Refrigerated storage under
- Rear sliding doors
- Toughened lift up glass
- Interior illumination plus lighting under mid shelf
- Electric Defrost
- Multiplexable
- Automatic defrost
- 90 degree corner sections refrigerated
- Colour facia panels (White) Other Colours Available. P.O.A



Temperature

0°C to 2 °C



Capacity

Panarea-150	234L
Panarea-200	312L
Panarea-250	390L
Panarea-300	468L



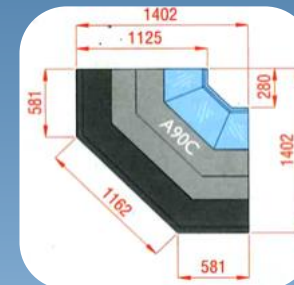
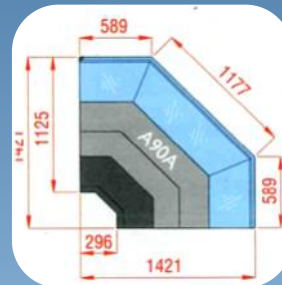
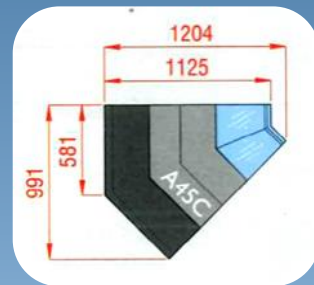
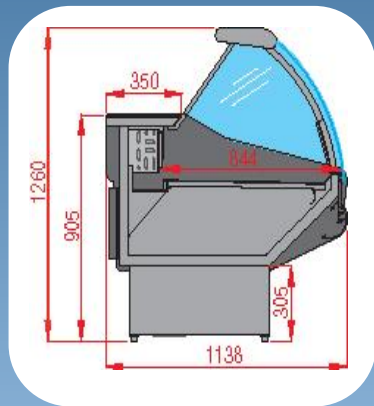
Dimensions

Panarea-150	1540w x 1138d x 1260h
Panarea-200	2020w x 1138d x 1260h
Panarea-250	2500w x 1138d x 1260h
Panarea-300	2980w x 1138d x 1260h
Panarea-350	3700w x 1138d x 1260h



Specifications

Model	Panarea-150V	Panarea-200 V	Panarea-250V	Panarea-300V	Panarea-350V
Dimensions	1540w x 1138d x 1260h	2020w x 1138d x 1260h	2500w x 1138d x 1260h	2980w x 1138d x 1260h	3700w x 1138d x 1260h
Weight	170 Kg	202 Kg	230 Kg	260 Kg	370 Kg
Net Capacity	234 L	312 L	390 L	468 L	546 L
Temperature	0°C / +2°C	0°C / +2°C	0°C / +2°C	0°C / +2°C	0°C / +2°C
Storage Door Quantity	2	2	3	4	4
Absorbed Power	615 W	658 W	854 W	985 W	1198 W



.**Nuline Refrigeration reserves the right to alter the specifications without prior notice.**