

# Lily Gelato Fan Forced Display



## Features:

- Hermetic compressor which provides high refrigerating capacity, low consumption, and low noise levels.
- Automatic inversion cycle defrost that does not affect the product characteristics.
- Heated front and side glasses.



## Temperature

-16°C to -18 °C



## Dimensions

Lily 12 - 1282w x 1139d x 1322h

Lily 16 - 1612w x 1139d x 1322h

Lily 18 - 1777w x 1139d x 1322h

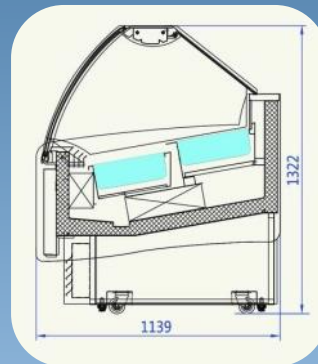
Lily 24 - 2272w x 1139d x 1322h

# Lily Gelato Fan Forced Display



## Specifications

Model	Lily 12	Lily 16	Lily 18	Lily 24
Dimensions	1282w x 1139d x 1322h	1612w x 1139d x 1322h	1777w x 1139d x 1322h	2272w x 1139d x 1322h
Net Weight	262 Kg	315 Kg	332 Kg	379 Kg
Temperature	-16°C / -18°C	-16°C / -18°C	-16°C / -18°C	-16°C / -18°C
Refrigerant	R404A	R404A	R404A	R404A
Test Details	+30 °C/ 60% RH	+30 °C/ 60% RH	+30 °C/ 60% RH	+30 °C/ 60% RH
Input Power	1400 W	1600 W	1750 W	2750 W
Voltage	220-240 V / 1ph / 50 Hz	220-240 V / 1ph / 50 Hz	220-240 V / 1ph / 50 Hz	400 V / 3ph / 50 Hz



.\*\*Nuline Refrigeration reserves the right to alter the specifications without prior notice.\*\*

7 Longford Ct Springvale VIC 3171  
P: +61 3 9562 3355  
info@nulinerefrigeration.com.au