

# Eve Pastry Showcase



## Features:

- Hermetic compressor which provides high refrigerating capacity, low consumption, and low noise levels.
- Safety glasses with heating element.
- Automatic sliding doors
- Different colours available on request



## Temperature

2°C to 8 °C



## Display Surface

Eve 100 - 1.44 m<sup>2</sup>

Eve 150 - 2.17m<sup>2</sup>

Eve 200 - 2.89m<sup>2</sup>



## Dimensions

Eve 100 - 1000w x 740d x 1300h

Eve 150 - 1500w x 740d x 1300h

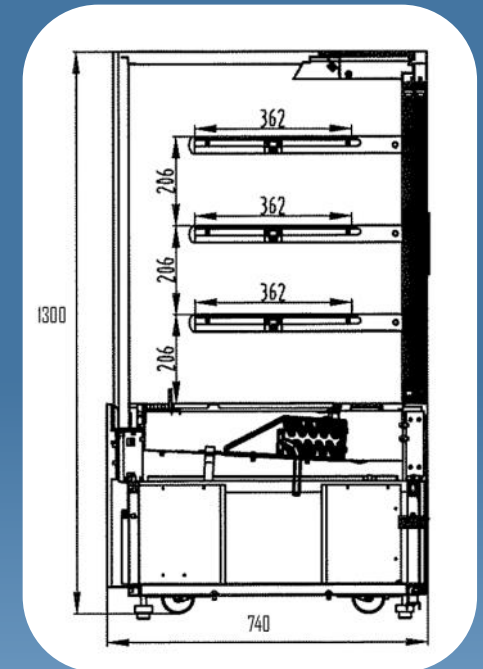
Eve 200 - 2000w x 740d x 1300h

# Eve Pastry Showcase



## Specifications

Model	Eve 100	Eve 150	Eve 200
Dimensions	1000w x 740d x 1300h	1500w x 740d x 1300h	2000w x 740d x 1300h
Net Weight	240 Kg	310 Kg	380 Kg
Display surface	1.44 m <sup>2</sup>	2.17 m <sup>2</sup>	2.89 m <sup>2</sup>
Temperature	+2°C / +8°C	+2°C / +8°C	+2°C / +8°C
Refrigerant	R404A	R404A	R404A
Test Details	+30 °C/ 60% RH	+30 °C/ 60% RH	+30 °C/ 60% RH
Input Power	558 W	655 W	895 W
Voltage	220-240 V / 1ph / 50 Hz	220-240 V / 1ph / 50 Hz	220-240 V / 1ph / 50 Hz



.\*\*Nuline Refrigeration reserves the right to alter the specifications without prior notice.\*\*

7 Longford Ct Springvale VIC 3171  
P: +61 3 9562 3355  
info@nulinerefrigeration.com.au